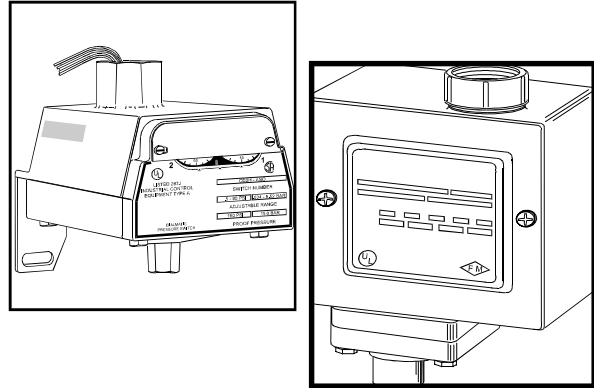


## *Pressure / Vacuum Alarm Switches and Pressure Gauges*

### Elements

- Normally open or normally closed contacts
- NEMA 4 water-tight housing with mounting brackets
- UL listed instrument quality snap-action switch
- Gas specific demand check fittings



### Low Pressure and Vacuum Switch Data

Pressure and vacuum switches for medical gas alarm systems incorporate a UL listed single-pole double-throw snap-action micro switch. Each switch is rated at 10 amperes at 120 volts VAC.

The pressure switch comes pre-wired for medical gas alarm system compatibility using field selected normally open (NO) or normally closed (NC) circuitry. It is tested at 160 psi with an adjustable range of .5 to 80 psi, and factory pressure gas settings are 40 psi and 60 psi.

The vacuum switch comes preset to 12" Hg for alarm conditions. However, it is tested up to 30" Hg with an adjustable range of 8" to 29" Hg.

The NEMA 4 water-tight switch enclosure includes a mounting bracket, a gas specific inlet connection, and a 3/4" FNPT top inlet conduit hub.

#### Switch Adjustment

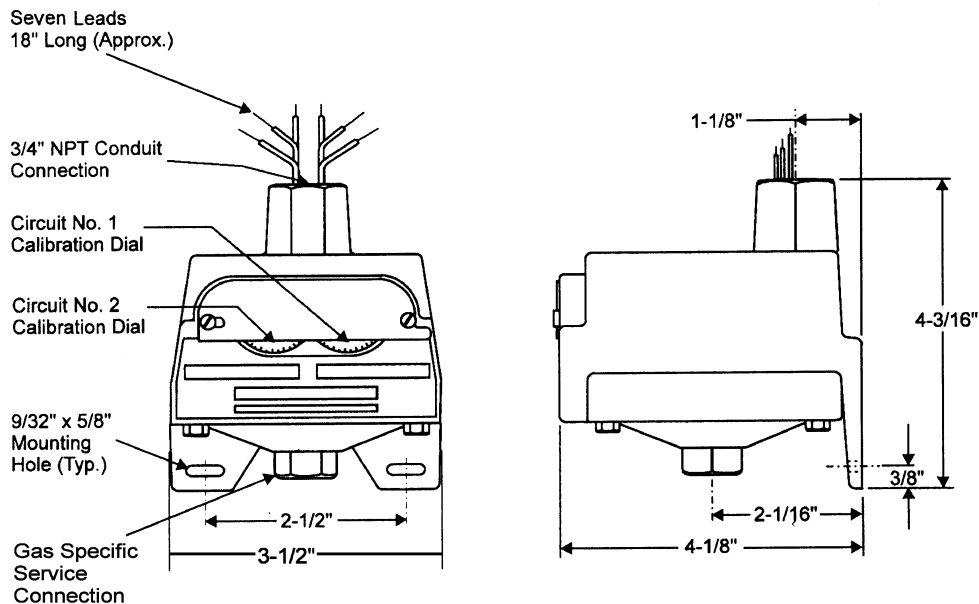
##### *Pressure:*

The switch can be field adjusted by turning the self-locking adjustment screw counter-clockwise to increase pressure setting (all dials calibrated for increasing settings).

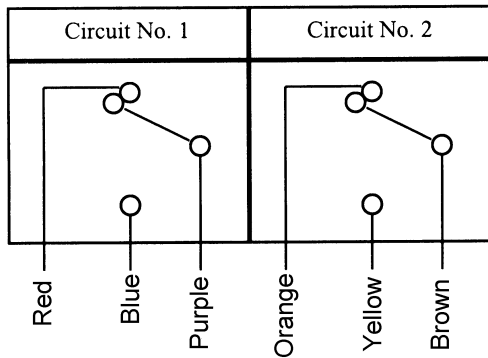
##### *Vacuum WAGD:*

The switch can be field adjusted by turning the adjustment screw counter-clockwise to approach atmospheric pressure.

**Low Pressure and Vacuum Switch Data**



**\*\* Note: Dimensions subject to change without notice**



	Low Pressure Switch		Vacuum Switch
	Circuit #1	Circuit #2	Circuit #1
Common	Purple	Brown	Purple
Normally Closed	Blue	Orange	Red
Normally Open	Red	Yellow	Blue

**Note:** Dimensions subject to change without notice.

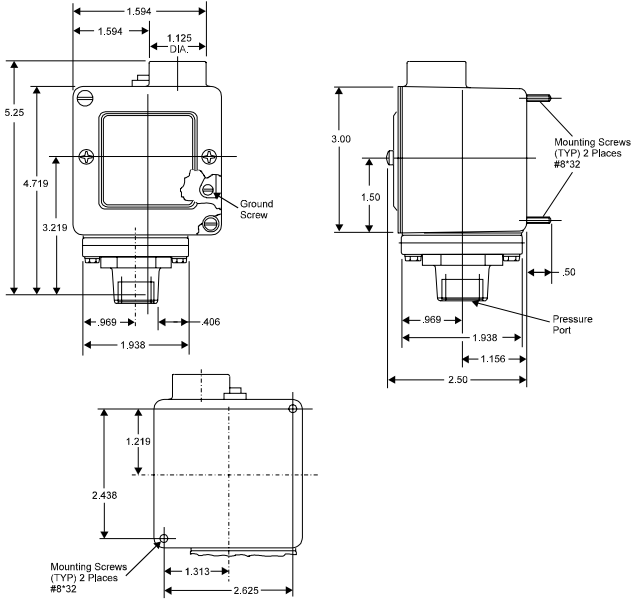
**High Pressure Switch Data**

High-pressure switches for medical gas alarm systems incorporate a UL listed single-pole double-throw snap-action switching element. Each switch is rated at 10 amperes at 120 VAC.

The pressure switch is used for medical gas alarm system compatibility needing normally open (NO) or normally closed (NC) circuitry. It is tested at 1,000 psi with an adjustable range of 10 to 230 psi decreasing pressure or 11 to 150 psi increasing pressure. Two switches are required for each location being monitored: one for high pressure signal, one for low pressure signal.

The NEMA 4 water-tight switch enclosure includes a mounting bracket, a gas specific service line connection, and 1/2" NPT top conduit hub.

The switch can be field adjusted by turning the self-locking adjustment nut clockwise to increase the pressure setting (all dials calibrated for increasing settings).



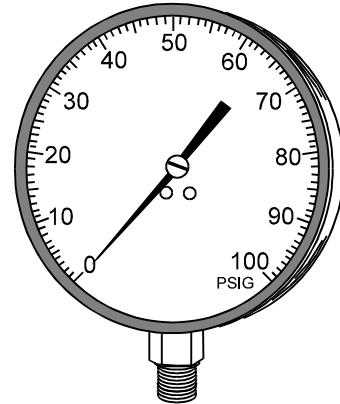
**Ordering Information**

Catalog Number	Quantity	Description
74-13-0100		High/Low Pressure Switch – Oxygen
74-13-0101		Vacuum Switch – Vacuum
74-13-0102		High/Low Pressure Switch – Nitrous Oxide
74-13-0103		High/Low Pressure Switch – Medical Air
74-13-0104		High/Low Pressure Switch – Carbon Dioxide
74-13-0105		High Pressure Switch – Nitrogen (2 required for high and low alarm)
74-13-0106		High/Low Pressure Switch – O <sub>2</sub> /CO <sub>2</sub> < 7%
74-13-0107		Vacuum Switch – WAGD

**Pressure/Vacuum Gauge Data**

**Elements**

- Corrosion-resistant stainless steel case and ring with plastic lens
- Balanced adjustable black pointer
- Soft-soldered phosphor bronze tube and phosphor bronze movement with brass socket
- Easy to read large 4 -1/2" diameter dial
- 1/4" NPT male connection
- Gas-specific demand check fittings



**Ordering Information**

Catalog Number	Quantity	Description	Dial Ranges
77-90-0591		Pressure Gauge – Oxygen	0-100 psi
77-90-0592		Vacuum Gauge – Vacuum	0-30" psi
77-90-0593		Pressure Gauge – Nitrous Oxide	0-100 psi
77-90-0594		Pressure Gauge – Medical Air	0-100 psi
77-90-0595		Pressure Gauge – CO2	0-100 psi
77-90-0596		High Pressure Gauge – Nitrogen	0-300 psi
77-90-0597		Pressure Gauge – O2/CO2 < 7%	0-300 psi
77-90-0598		Vacuum Gauge – WAGD	0-30" hg

All specifications are nominal and subject to change without notice.

Warranty:  
See Allied Statement of Warranties for details.

© 2006 Allied Healthcare Products, Inc.® Printed in USA

*Customer Service:*  
 USA: (800) 444-3960  
 FAX: (314) 771-7537  
 Canada/Mexico: (800) 446-0552  
 FAX: (800) 246-6201  
 International: (314) 268-1683  
 FAX: (314) 771-5183



1720 Sublette Avenue  
 St. Louis, MO 63110 USA  
 (314) 771-2400  
 www.alliedhpi.com  
**ISO 9001 CERTIFIED**