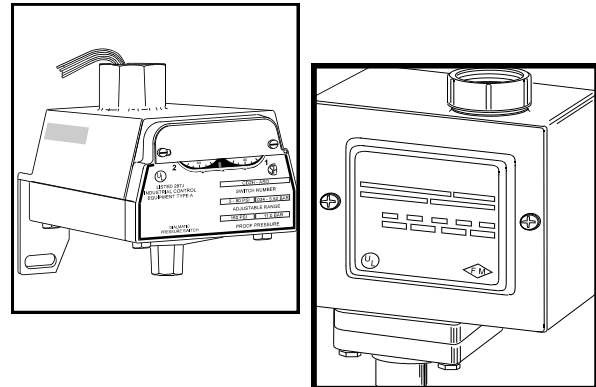


Pressure / Vacuum Alarm Switches and Pressure Gauges

Elements

- Normally open or normally closed contacts
- NEMA 4 water-tight housing with mounting brackets
- UL listed instrument quality snap-action switch
- Gas-specific demand check fittings
- NFPA 99 compliant and cleaned for oxygen service



Low Pressure and Vacuum Switch Data

Pressure and vacuum switches for medical gas alarm systems incorporate a UL listed single-pole double-throw snap-action micro switch. Each switch is rated at 10 amperes at 120 volts VAC.

The pressure switch comes pre-wired for medical gas alarm system compatibility using field selected normally open (NO) or normally closed (NC) circuitry. It is tested at 160 psi with an adjustable range of .5 to 80 psi, and factory pressure gas settings are 40 psi and 60 psi.

The vacuum switch comes preset to 12" Hg for alarm conditions. However, it is tested up to 30" Hg with an adjustable range of 8" to 29" Hg.

The NEMA 4 water-tight switch enclosure includes a mounting bracket, a gas specific inlet connection, and a 3/4" FNPT top inlet conduit hub.

Switch Adjustment

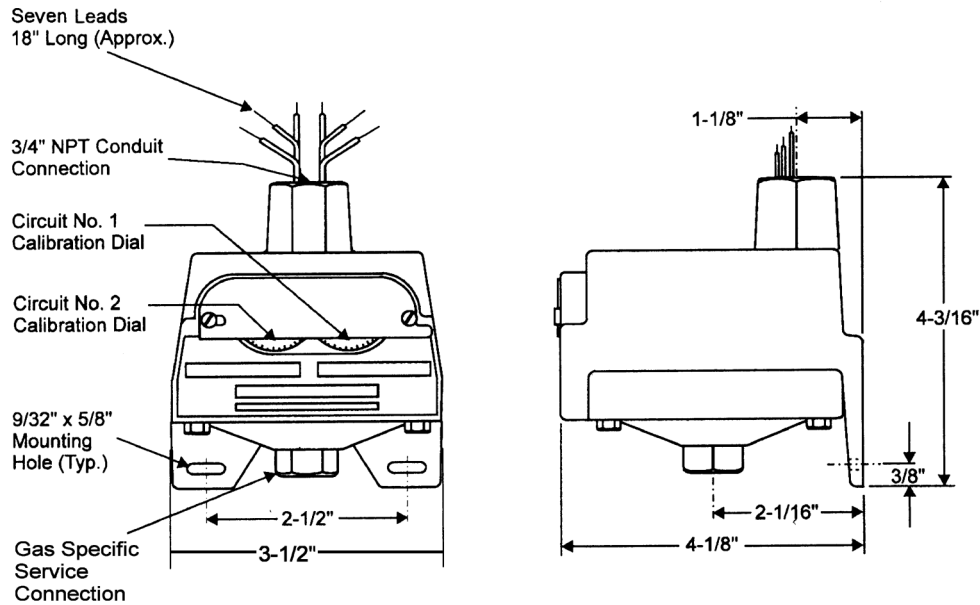
Pressure:

The switch can be field adjusted by turning the self-locking adjustment screw counter-clockwise to increase pressure setting (all dials calibrated for increasing settings).

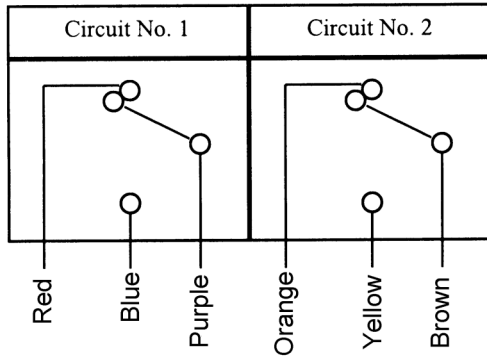
Vacuum WAGD:

The switch can be field adjusted by turning the adjustment screw counter-clockwise to approach atmospheric pressure.

Low Pressure and Vacuum Switch Data



**** Note: Dimensions subject to change without notice**



	Low Pressure Switch		Vacuum Switch
	Circuit #1	Circuit #2	Circuit #1
Common	Purple	Brown	Purple
Normally Closed	Blue	Orange	Red
Normally Open	Red	Yellow	Blue

Note: Dimensions subject to change without notice.

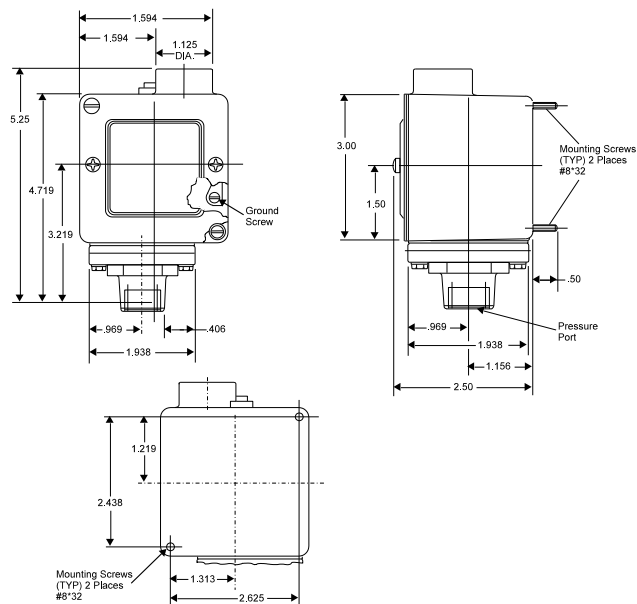
High Pressure Switch Data

High-pressure switches for medical gas alarm systems incorporate a UL listed single-pole double-throw snap-action switching element. Each switch is rated at 10 amperes at 120 VAC.

The pressure switch is used for medical gas alarm system compatibility needing normally open (NO) or normally closed (NC) circuitry. It is tested at 1,000 psi with an adjustable range of 10 to 230 psi decreasing pressure or 11 to 150 psi increasing pressure. Two switches are required for each location being monitored: one for high pressure signal, one for low pressure signal.

The NEMA 4 water-tight switch enclosure includes a mounting bracket, a gas specific service line connection, and 1/2" NPT top conduit hub.

The switch can be field adjusted by turning the self-locking adjustment nut clockwise to increase the pressure setting (all dials calibrated for increasing settings).



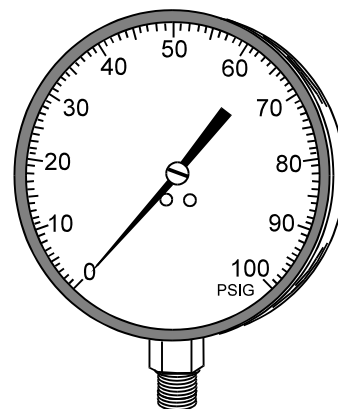
Ordering Information

Catalog Number	Quantity	Description
74-13-0100		High/Low Pressure Switch – Oxygen
74-13-0101		Vacuum Switch – Vacuum
74-13-0102		High/Low Pressure Switch – Nitrous Oxide
74-13-0103		High/Low Pressure Switch – Medical Air
74-13-0104		High/Low Pressure Switch – Carbon Dioxide
74-13-0105		High Pressure Switch – Nitrogen (2 required for high and low alarm)
74-13-0106		High/Low Pressure Switch – O ₂ /CO ₂ < 7%
74-13-0107		Vacuum Switch – WAGD

Pressure/Vacuum Gauge Data

Elements

- Corrosion-resistant stainless steel case and ring with plastic lens
- Balanced adjustable black pointer
- Soft-soldered phosphor bronze tube and phosphor bronze movement with brass socket
- Easy to read large 4 -1/2" diameter dial
- 1/4" NPT male connection
- Gas-specific demand check fittings



Ordering Information

Catalog Number	Quantity	Description	Dial Ranges
77-90-0591		Pressure Gauge – Oxygen	0-100 psi
77-90-0592		Vacuum Gauge – Vacuum	0-30" hg
77-90-0593		Pressure Gauge – Nitrous Oxide	0-100 psi
77-90-0594		Pressure Gauge – Medical Air	0-100 psi
77-90-0595		Pressure Gauge – CO2	0-100 psi
77-90-0596		High Pressure Gauge – Nitrogen	0-300 psi
77-90-0597		Pressure Gauge – O2/CO2 < 7%	0-300 psi
77-90-0598		Vacuum Gauge – WAGD	0-30" hg

All specifications are nominal and subject to change without notice.

Warranty:
See Allied Statement of Warranties for details.

© 2011 Allied Healthcare Products, Inc.® Printed in USA

Customer Service:
USA: (800) 444-3960
FAX: (314) 771-7537
Canada/Mexico: (800) 446-0552
FAX: (800) 246-6201
International: (314) 268-1683
FAX: (314) 771-5183



1720 Sublette Avenue
St. Louis, MO 63110 USA
(314) 771-2400
www.alliedhpi.com
ISO 9001 CERTIFIED